



 **cubicles.com**
888-442-8242


openplan
SYSTEMS

Open Plan, Open Minds.

Call Center Cubicles





Open Plan, Open Minds.

...Call Center Workstations Solutions for the 21st Century

More than half our life is dedicated to our work. So much of this work is conducted and transacted within and across this ubiquitous thing called office furniture that we often forget it's even there.

Cubicles.com is dedicated to assisting you with affordably fulfilling your vision for a new call center. We work with you to create an open office plan that maximizes available square footage, optimizes workflow and engages the human spirit in a symphony of employee collaboration.

Our Open Plan Systems began by remanufacturing Herman Miller AO2 workstations and have been at the forefront of remanufactured call center cubicles since the mid 1980's with thousands of customers and an extensive base of installations throughout the country.

From these remanufactured roots, OPS tooled and retooled to be better than most. Better by offering you the versatility of choice, built upon the foundation of the first (and still best) engineered office cubicle system ever to be devised.





OPS2 Sustainable Series

remanufacture [Verb] : to manufacture into a new product

Remanufactured call center cubicles provide a world of saving and sustainability, and are held to the same standards of quality and durability as brand new product. Saving up to 40% off the cost of new product manufactured from newly sourced raw materials is the most noticeable advantage. The potential to earn LEED points as recognition for your wise stewardship of our planet's natural resources is another. The valued selections in the Sustainable Series allow us to provide our greatest discounts through the remanufacturing of panel cores, connector cores, and overhead storage bins.



67"H Panels Call Center Workstations



53"H Z Configuration Call Center Cubicles



53 "H Call Center Cubicles



Sustainable Finishes

The Sustainable Series is engineered to be the best value for your money. Are you shopping for used office cubicles for the savings, but don't want to deal with the limitations? This series offers you the security you need - like a certified UL Listing and a 10-Year Warranty - along with the flexibility you desire – like color options and add-ons like glass stackers and storage accessories. Not to mention, if you ever grow your business in the future, it will be far easier to add matching components!

www.cubicles.com/o2-finishes#grade1

Fabrics



Work Surfaces



Base



Trim



Edge



Q Eligible for Quick Ship when combined with Quick Ship options and finishes. Quick Ship orders are limited to \$150,000 list price or less for shipment in 2 weeks. Fabric is railroaded, as shown above, except when used in combination with 85" high panels.

Colors shown are for representative purposes only. Actual swatches are available upon request. Sustainable fabrics are ompro fabrics and subject to minor imperfections.



CALL CENTER CUBICLES GREATEST SAVINGS MOST VALUE



888-442-8242

Finishes Shown : Fabric : James River / Work Surface : Midwest Maple / Trim, Paint & Edge : BU

THESE CALL CENTER CUBICLES INCLUDES...

Power :

- Base Feed
- 2 Receptacles / Station
- Power down the spine

Accessories :

- Task Task Light

Pedestal file :

- BBF-SP

Painted Flipper Door

- Flipper Door Unit



Design Capabilities

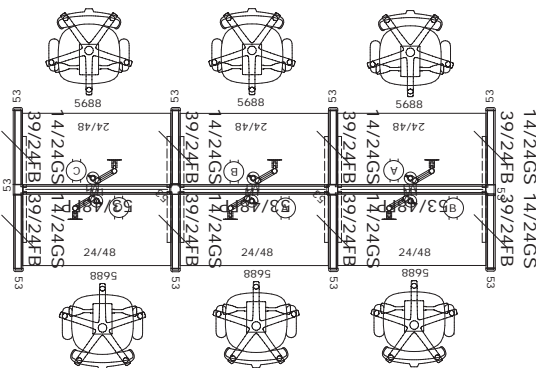
Office space planning is a vital component in achieving an optimal call center space plan. To achieve your desired goals, working with someone who is knowledgeable in both the art and science of Computer Aided Design (CAD) can be an invaluable asset and one of your most effective office space planning tools.

A Call Center Space Planner will be able to assist you in developing a successful office space plan that will take all the necessary factors into account, including minimum fire safety and/or ADA requirements, open plan vs. high privacy environments, electrical & data cabling arrangements, noise/acoustics, departmentalized workflow, and more.

At the core of Cubicles.com is a team of experts in the field of office space planning and office interior design. Give us your office space dimensions and we will return a plan that meets your needs, fits your budget and exceed your expectations.

If you want the call center design experts at cubicles.com to hit the ground running for your projects, just send us the rough stuff and we'll turn it around in no time flat!

2D



3D



3D Visual Impressions Professional Renderings



6 Pack Call Center Cubicles



Call Center Cubicles With Managers Cube



Call Center Cubicle Storage & Accessories

Adding The Final Touches



4 Call Center Workstations Plus Managers Cubicle

Storage Options

Lateral files, pedestal files, open shelves or shelves with a locking flipper door front provide a series of versatile storage options to consider adding to your Call Center Cubicle. Lateral file cabinets are not only compact storage units, they can also be effectively used to divide or define your space! Lateral files range from two to five drawers and 30", 36" or 42" wide. Specify 2-drawer for in-workstation active filing demands and 3, 4, or 5 drawers for higher volumes in common areas.

Accessories

Enhance worker productivity with cubicle accessories. Specify monitor arms for improved visual multi-tasking. Select keyboard trays when user ergonomics create the demand. Use paper management trays to keep clutter in check and LED task lights to lessen eye strain. Consider adding a work surface mounted USB charging station for the ever ubiquitous cell phones and tablets.



Tech Accessories



Paper Management



Keyboard Sets





Cubicles.com - The Open Plan Advantage

With more than 80 years of combined cumulative experience in the office furniture industry Cubicles.com and Open Plan Systems are experts in planning, designing, specifying the office and manufacturing Call Center Workstations.

Quality

Our Call Center Workstations are "A" Grade quality. Quality achieved by relentlessly pursuing the highest standards in the manufacturing process, and by utilizing proven techniques and technologies that ensure quality products and unparalleled service and savings.

Selection

Our system is not "your father's" modular office system. OPS has taken the simple genius engineered into the workstation systems originally conceived back in the day, and added new refinements to satisfy today's contemporary aesthetic.

Value Pricing

OPS remanufactures the old or fabricates completely brand new. When the bottom line demands, we can blend the two into sustainable cost effective call center furniture. This is achieved without sacrificing quality or limiting aesthetic possibilities.

We do this at a significant cost saving that is often 20-40% below the cost of larger manufacturers and their comparable systems! If you're not convinced, put us through the paces and allow us to prove the value our call center cubicle can bring to your project.

UL-Approved

We take an active interest in the safety of your workplace. Every fabric we use in Class A fire rated. Every electrical component in both new and remanufactured products are (UL) approved by Underwriters Laboratories Inc.

Many insurance policies have clauses limiting the insurance company's liability in the case of a claim due to the failure of a non-UL-listed device. Protect your investments by making sure the product you buy is UL, BIFMA, and NEC-approved.

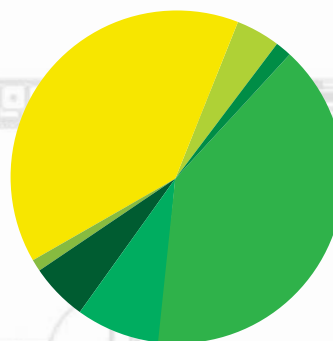
Warranty

All new and remanufactured system products are covered by a 10-year warranty.

Green Initiative

More than a Green Initiative, sustainability is a core business strategy and responsibility. With our driven eco-friendly efforts, OPS takes a Kaizen approach to environmental innovations, leadership efforts and quality performance. OPS is very proud of being a U.S. Green Building Council member and recycles the following :

Paint / Fabric Waste / Wood Waste / Steel
Cardboard / Aluminum / Plastic Wrap
Light Bulbs / Pallets / Aerosol Cans / Office Waste



- 200 Tons Cardboard
- 2,000 Tons Used Work Surfaces
- 50 Tons Aluminum
- 300 Tons Steel
- 400 Tons Trash
- 2,000 Tons Wood Waste
- 100 Tons Fabric



 **cubicles.com**
888-442-8242


openplan
SYSTEMS

Open Plan, Open Minds.

What are you waiting for?
Call Center Cubicles **Call us Today!**

 **888-442-8242**




cubicles.com

Your Office Will Never Be The Same!

HQ 24 West 39th Street New York City, NY 10018 Tel: 888.442.8242

Serving the Nation: NY | Boston | Atlanta | Miami | Tampa | Washington DC | Virginia | Philadelphia | Denver | San Diego | Dallas | Houston | Los Angeles | Chicago